

1064 nm Polarization Maintaining Tap Coupler (DL-PMTC-SS-T-UU-V-W-X-Y-Z)

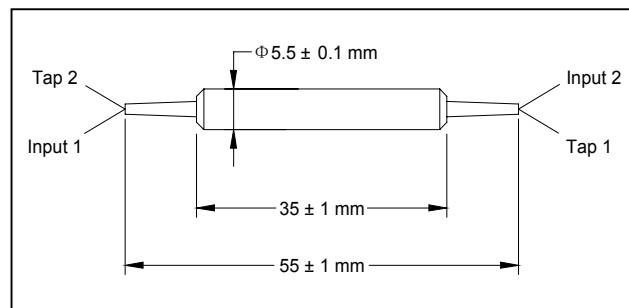
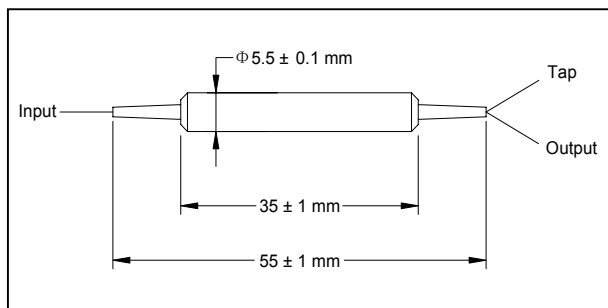
The PMTC Series splits the input signal at various ratios with high extinction ratio.

A. Specifications

Parameter	Value		Unit
Center Wavelength (λ_c)	1064		nm
Operating Wavelength Range	$\lambda_c \pm 20$		nm
Configuration	1 x 2	2 x 2	
Max. Excess Loss	0.7	1.1	dB
Max. Uniformity (only for 50%)	0.6	0.8	dB
Tap Ratio	1 \pm 0.2%, 2 \pm 0.4%, 5 \pm 1.0%, 10%, and 50%		%
Min. Return Loss	50		dB
Min. Extinction Ratio	20		dB
Max. Optical Power (Continuous Wave)	300		mW
Operating Temperature	-5 to +70		$^{\circ}$ C
Storage Temperature	-40 to +85		$^{\circ}$ C

*IL is 0.5 dB higher, RL is 5 dB lower, and ER is 2 dB lower for each connector added. Connector key is aligned to slow axis.

B. Package Dimensions



C. Ordering Information

DL-PMTC-SS-T-UU-V-W-X-Y-Z

SS: Wavelength	UU: Coupling Ratio	V: Connector Type	W: Fiber Type (PM 980)	Y: Fiber Length
06 - 1064 nm	01 - 1/99	1 - FC/UPC	B - 250 μ m Panda fiber	Q - 0.75 m
SS - Specify	02 - 2/98	2 - FC/APC	L - 900 μ m loose tube	S - Specify
	05 - 5/95	3 - SC/UPC		
	10 - 10/90	4 - SC/APC	X: Fiber Type for Tap Port	Z: Working Axis
	50 - 50/50	N - None	H - HI 1060	F -Fast axis blocked
	SS - Specify		P - PM Panda fiber	
			S - Specify	

T: Configuration

1 - 1 x 2

2 - 2 x 2