



16xx nm DFB

The DL-DFB6XX03T-A is an InGaAsP based distributed feedback laser series in a TO-56 package, with an aspherical lens.

These devices have been optimized for telecommunication, test & measurements as well as photonic sensing applications (gas).

DenseLight's DFB chips are grown in our own wafer fabrication facility in Singapore.



APPLICATIONS

- OTDR**
- Photonic Sensing (gas)**
- Biomedical Sensing**
- Telecommunication**

PRODUCT OFFERING

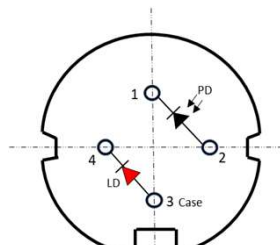
Part No	λ nm	Po (mW)
DL-DFB65003T-A	1650	3
DL-DFB62503T-A	1625	3
DL-DFB61003T-A	1610	3

DenseLight has capability to do other wavelengths. Please contact your local sales or write to info@denselight.com for information

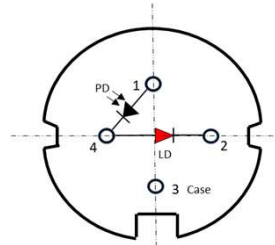
FEATURES & PERFORMANCE

- Uncooled 1650nm DFB laser
- Operating temperature from -5C to 70C
- Optical output min. 3mW

PRODUCT OFFERINGS

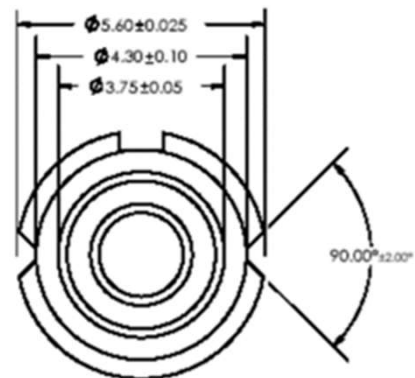
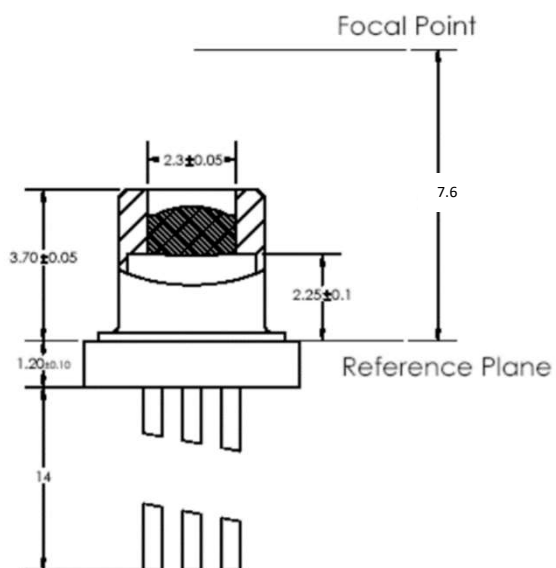


Type A



Type B

PHYSICAL & MECHANICAL SPECIFICATION



TOP VIEW